

AQUACULTURE CASE | BELL AQUACULTURE

# SUSTAINABLE FISH FARM USES PRIMOZONE® OZONE SYSTEM

Sustainable fish farmer Bell Aquaculture installed a Primozone ozone system when expanding its production facility in Albany, IN. Thanks to the Primozone ODM ozone distribution module the investment cost became substantially lower.

**BELL AQUACULTURE** is the largest yellow perch fish farmer in the US. They are committed to sustainable fish farming that is gentle to the environment and hormone free.

When expanding its production facility in Albany, IN the plant was designed for ozone water treatment. But the design was expensive as it required 9 ozone generators i.e. one for each culture tank.

## Primozone distribution solution

With the Primozone solution it was sufficient with one ozone generator with

a capacity of 900g O<sub>3</sub>/h. This thanks to the Primozone ODM ozone distribution module.

The solution for Bell Aquaculture meant installing a ODM with 9 distribution lines, connected to one Primozone GM18 ozone generator. A solution which has several advantages;

- much lower initial cost as well as lower life cycle cost
- one access point which ensures easy monitoring and control
- individual dosing per treatment line
- redundancy thanks to modular design

## BELL AQUACULTURE IS COMMITTED TO THESE FOUR GUIDING PRINCIPLES IN PRODUCING ITS FISH:

- Controlled indoor environment
- Toxin & mercury free – no hormones used
- Healthy growth
- Gentle to the environment

## OZONE AT RAS

- Improves water quality and thus improve fish health, growth and survival
- Removes color, nitrite and heavy metals
- Dissolves organic compounds and micro-flocculates fine particulate solids

## PRIMOZONE SOLUTION

- One Primozone GM18 ozone generator, 900g O<sub>3</sub>/h
- Primozone System Controller
- Closed loop heat-exchanger
- Primozone ODM ozone distribution module with 9 individual treatment lines with individual dosing per treatment line automatically controlled by ORP-values



Complete installation at Bell Aquaculture with a Primozone® GM18 ozone generator, Primozone® ODM ozone distribution module, Primozone® system controller and a heat exchanger.

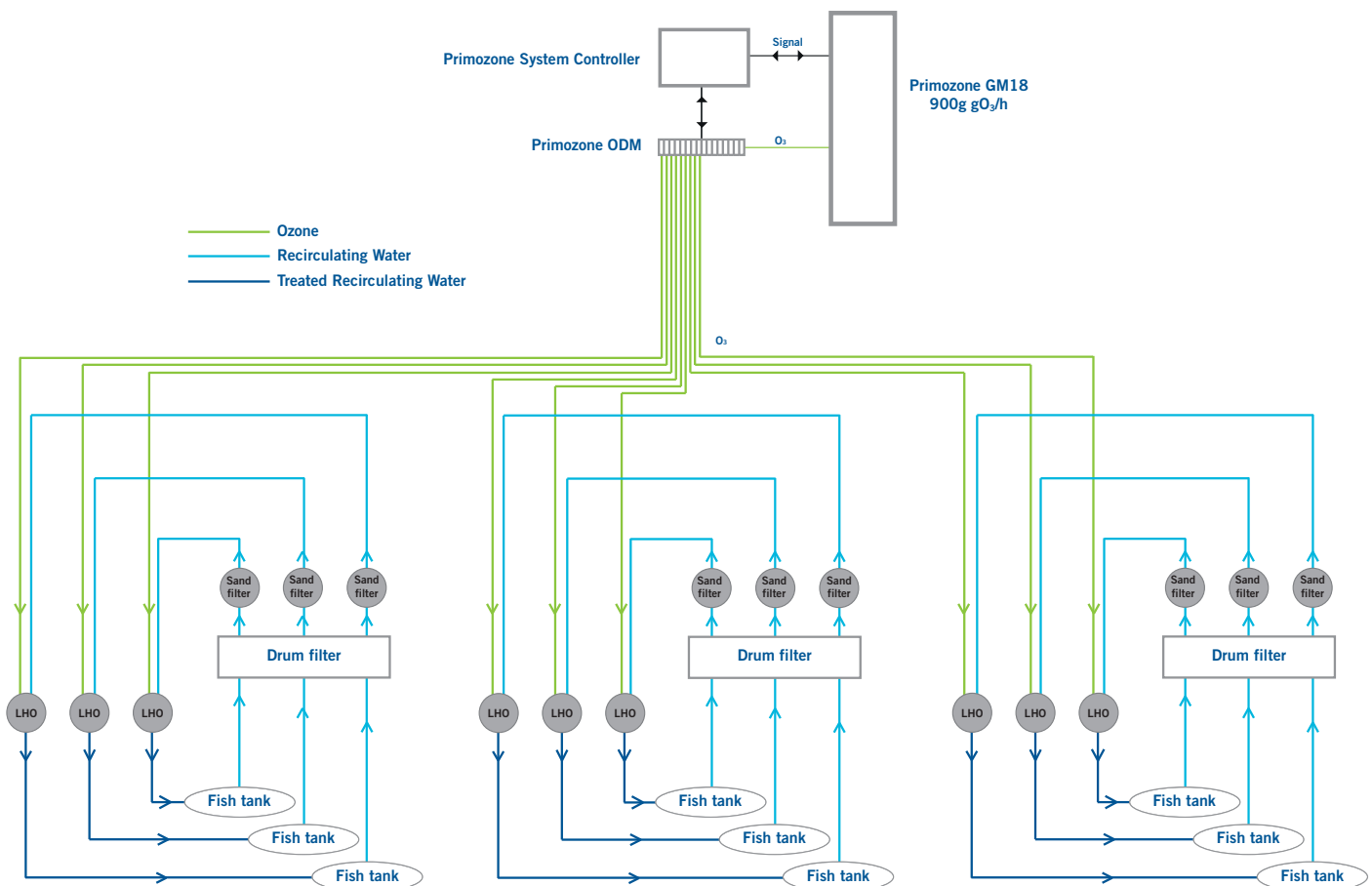
[www.primozone.com](http://www.primozone.com)

Primozone began redefining ozone technology in 2000. Since 2003, Primozone Production AB has been wholly owned by Westfal-Larsen Technology of Bergen, Norway. Today Primozone's patented technology is used in water treatment installations in more than 40 countries worldwide.

Terminalvägen 2, SE-246 42  
Löddeköpinge, Sweden  
Mail: [info@primozone.com](mailto:info@primozone.com)  
Phone: +46 46 70 45 70

# PRIMOZONE® ODM INSTALLATION AT BELL AQUACULTURE

At Bell Aquaculture the Primozone ODM installation has 9 different treatment lines, all with individual dosing. The dosing is controlled by the Primozone System Controller that regulates the ozone production according to the values on the ORP probe installed on each treatment line. Below is a outline of the water and ozone flows.



## ABOUT PRIMOZONE

At Primozone® we are committed to provide our customers with cost efficient and environmentally friendly ways to clean and treat water with ozone. Our ozone generators and ozone water treatment systems are based on cutting-edge technology and generate far more ozone while using far less energy.

At Primozone we have found an innovative way to make ozone generation efficient and cost effective.

Our solution has proven to save up to 70% of the energy consumption compared to traditional ozone generators. Furthermore the Primozone Ozone Generator is small and has the capacity to generate ozone with a proven high concentration.

Ozone is not only a natural product but also one of the most efficient methods to clean and treat water.

### www.primozone.com

Primozone began redefining ozone technology in 2000. Since 2003, Primozone Production AB has been wholly owned by Westfal-Larsen Technology of Bergen, Norway. Today Primozone's patented technology is used in water treatment installations in more than 40 countries worldwide.

Terminalvägen 2, SE-246 42  
Löddeköpinge, Sweden  
Mail: info@primozone.com  
Phone: +46 46 70 45 70